

 Preliminary Specification Final Specification

Module	5.7 Inch Color TFT-LCD
Model Name	FT057-EDC02V.0 (AUO G057VN01 V.2)

Customer	Date
_____	_____
Checked & Approved by	

Note: This Specification is subject to change without notice.	

Approved by	Date
<u>Thomas Hung</u>	<u>2013/10/11</u>
Prepared by	
<u>Vicky Wu</u>	<u>2013/10/11</u>
Engineering Division / Forenex Tech.	



Contents

1. Operating Precautions	4
2. General Description	5
2.1 Display Characteristics	5
2.2 Optical Characteristics	6
3. Functional Block Diagram	8
4. Absolute Maximum Ratings	9
4.1 Absolute Ratings.....	9
4.2 Absolute Ratings of Environment	9
5. Electrical Characteristics	10
5.1 TFT-LCD Driving	10
5.2 Backlight Unit Driving.....	11
6. Signal Characteristic	12
6.1 Pixel Format Image.....	12
6.2 Scanning Direction.....	12
6.3 The Input Data Format.....	13
6.4 TFT- LCD Interface Signal Description.....	15
6.5 TFT- LCD Interface Timing.....	16
6.6 LED Backlight Unit Interface Signal Description.....	17
6.7 Power ON/OFF Sequence.....	17
7. Connector & Pin Assignment	18
7.1 TFT- LCD Signal (CN1): LCD Connector.....	18
7.2 LED Backlight Unit (CN2): Backlight Connector.....	18
7.3 PIN 1 definition of CN1 and CN2	20
8. Reliability Test Criteria	20
9. Mechanical Characteristics	22
10. Label and Packaging	23
10.1 Shipping Label (on the rear side of TFT-LCD display)	23
10.2 Carton Package.....	23
11 Safety	24
11.1 Keen Edge Requirements	24
11.2 Materials.....	24
11.3 Capacitors	24
11.4 National Test Lab Requirement	24



Record of Revision

Date	Page	Old description	New Description	Remark
2013 Oct 11	All	First Edition		



1. Operating Precautions

- 1) Display area (Polarizer) of TFT-LCD Module is easily to be damaged, please be cautious and not to scratch it.
- 2) Be sure to power off your machine before connecting or disconnecting your signal cable to TFT-LCD Module.
- 3) Wipe off water drop on display area immediately. Long contact with water may cause discoloration or spots.
- 4) When the panel surface is soiled, wipe it with absorbent cotton or soft cloth.
- 5) Display area (Glass) of TFT-LCD Module may be broken or cracked if bump Module against hard object.
- 6) To avoid ESD (Electro Static Discharge) damage, be sure to ground yourself before handling TFT-LCD Module.
- 7) Do not open nor modify the TFT-LCD module assembly.
- 8) Do not press the reflector sheet at the back of the module to any direction.
- 9) In case if TFT-LCD module has to be put back into the packing container slot after it was taken out from the container, do not press the center of the LED Reflector edge. Instead, press at the far ends of the LED Reflector edge softly. Otherwise the TFT-LCD Module may be damaged.
- 10) When inserting or removing of your signal cable to TFT-LCD Module, be sure not to apply abnormal force (rotate, tilt...etc.) to the Connector of the TFT-LCD Module.
- 11) TFT-LCD Module is not allowed to be twisted & bent even force is added on module in a very short time. Please design your display product well to avoid external force applying to module by end-user directly.
- 12) Small amount of materials without flammability grade are used in the TFT-LCD module. The TFT-LCD module should be supplied by power complied with requirements of Limited Power Source (IEC60950 or UL1950), or be applied exemption.
- 13) Severe temperature condition may result in different luminance, response time.
- 14) Continuous operating TFT-LCD Module under high temperature environment may accelerate LED light bar exhaustion and reduce luminance dramatically.
- 15) The data on this specification sheet is applicable when TFT-LCD module is placed in landscape position.
- 16) Continuous displaying fixed pattern may induce image sticking. It's recommended to use screen saver or moving content periodically if fixed pattern is displayed on the screen.



2. General Description

FT057EDC02V.0 is designed for industrial display applications with VGA (640 x RGB x 480) resolution and 262k colors (RGB 6-bits). It is composed of a TFT-LCD panel, driver ICs, control and power supply circuits board and backlight unit including LED driver circuit and offers CMOS interface for display signal input.

2.1 Display Characteristics

The following items are G057VN01 V2 characteristics summary at 25 °C (Room Temperature).

Items	Unit	Specifications
Screen Diagonal	inch	5.7
Active Area	mm	115.2(H) x 86.4(V)
Pixels H x V		640 x 3(RGB) x 480
Pixel Pitch	mm	0.18 x 0.18
Pixel Arrangement		R.G.B. Vertical Stripe
Display Mode		TN, Normally White
Nominal Input Voltage VDD	Volt	3.3 typ.
Typical Power Consumption	Watt	3.74W (LCD:0.5W/LED BLU: 3.24W) @ All black pattern, Full Load and V _{LED} =12V
Weight	Grams	150g (typ.), 165g (max.)
Physical Size	mm	144.0(H)x 104.6(V) x 12.3(D) (typ.)
Electrical Interface		CMOS 6-bit Parallel RGB
Surface Treatment		Anti-Glare, Hardness 3H
Support Color		262K colors
The most suitable view angle		12 o'clock
Temperature Range		
Operating	°C	-30 to +85
Storage (Non-Operating)	°C	-30 to +85
RoHS Compliance		RoHS Compliance



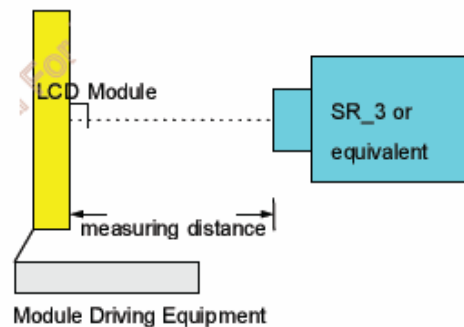
2.2 Optical Characteristics

The optical characteristics are measured under stable conditions at 25°C (Room Temperature).

Item	Unit	Conditions	Min.	Typ.	Max.	Remark
White Luminance	cd/m ²	V _{LED} = 12V, D _{PWM} = 100% (center point)	900	1000	-	Note 1
Uniformity	%	5 Points		-	1.3	Note 1, 2, 3
Contrast Ratio			500	800	-	Note 4
Response Time	msec	Rising	-	15	20	Note 5
	msec	Falling	-	10	15	
	msec	Rising + Falling	-	25	35	
Viewing Angle	degree	Horizontal (Right) CR = 10 (Left)	70	80	-	Note 6
	degree		70	80	-	
	degree	Vertical (Upper) CR = 10 (Lower)	60	70	-	
	degree		60	70	-	
Color / Chromaticity Coordinates (CIE 1931)		White x	0.263	0.313	0.363	
		White y	0.279	0.329	0.379	
		Red x	0.499	0.549	0.599	
		Red y	0.264	0.314	0.364	
		Green x	0.279	0.329	0.379	
		Green y	0.548	0.598	0.648	
		Blue x	0.106	0.156	0.206	
		Blue y	0.068	0.118	0.168	
Color Gamut	%		-	50	-	

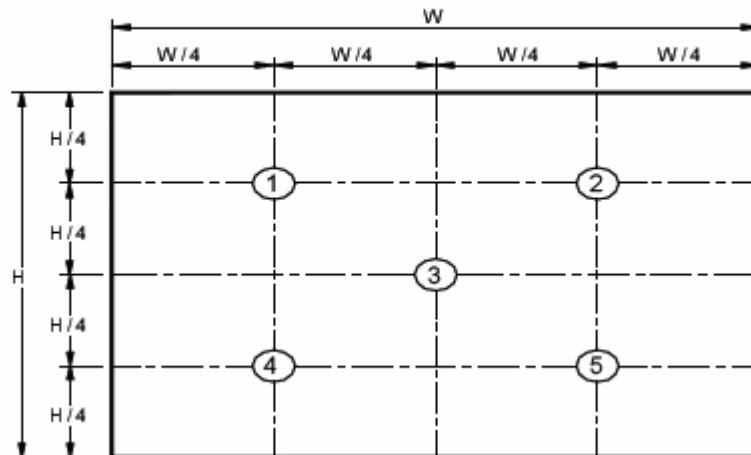
Note 1: Measurement method

Equipment	Pattern Generator, Power Supply, Digital Voltmeter, Luminance meter (SR_3 or equivalent)
Aperture	1" with 50cm viewing distance
Test Point	Center
Environment	< 1 lux





Note 2: Definition of 5 points position (Display active area: 115.2mm(W) x 86.4mm(H))



Note 3:

The luminance uniformity of 5 points is defined by dividing the maximum luminance value by the minimum luminance value at full white condition.

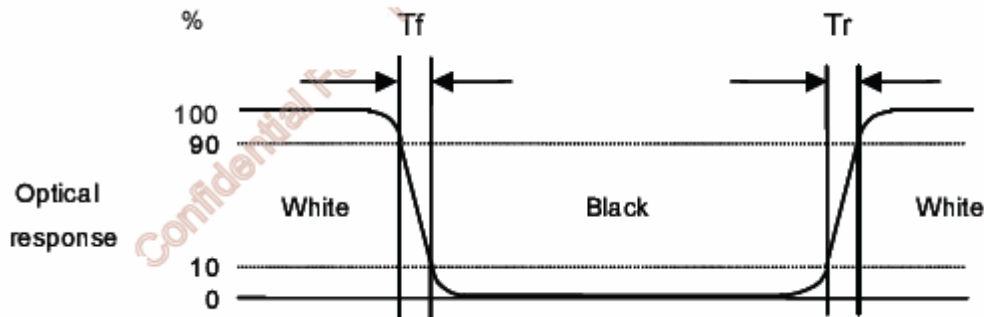
$$\delta_{w5} = \frac{\text{Maximum Brightness of five points}}{\text{Minimum Brightness of five points}}$$

Note 4: Definition of contrast ratio (CR):

$$\text{Contrast ratio (CR)} = \frac{\text{Brightness @ "White" state}}{\text{Brightness @ "Black" state}}$$

Note 5: Definition of response time:

The output signals of photo detector are measured when the input signals are changed from "White" to "Black" (falling time) and from "Black" to "White" (rising time), respectively. The response time interval definition is between 10% and 90% of amplitude. Please refer to the figure as below.

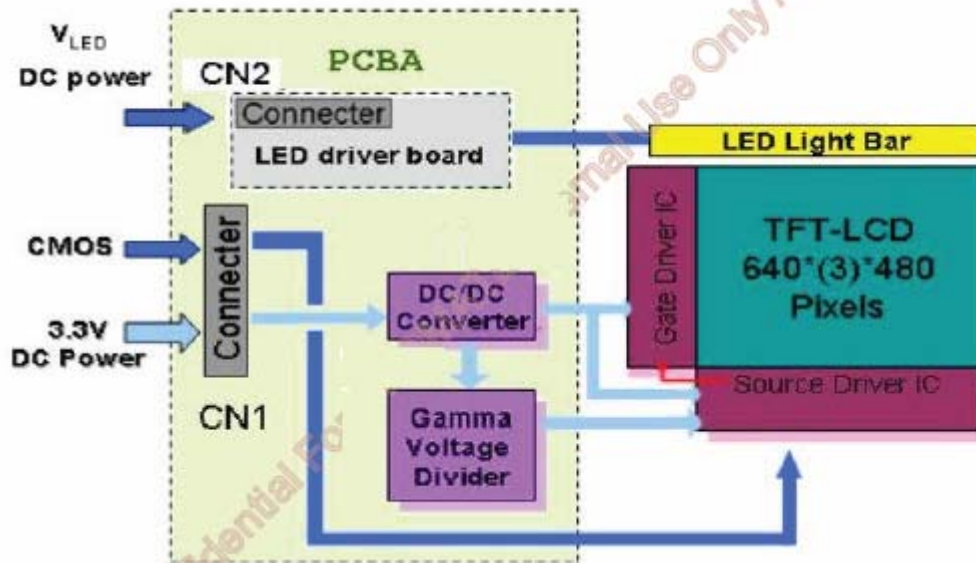
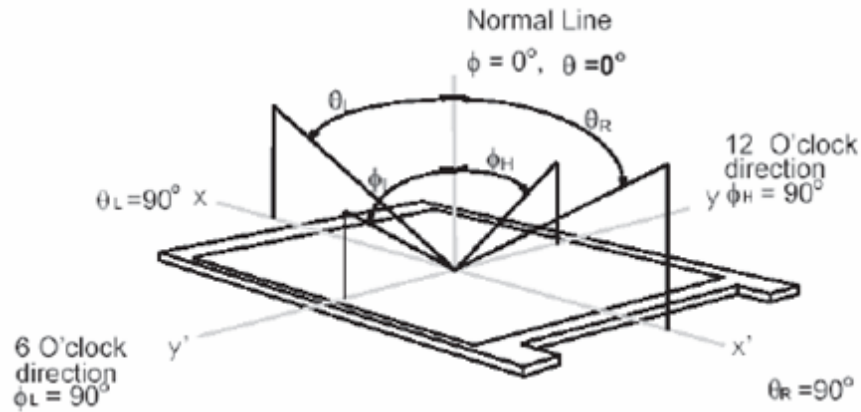




Note 6: Definition of viewing angle

Viewing angle is the measurement of contrast ratio ≥ 10 , at the screen center, over 180° horizontal and 180° vertical range.

The 180° horizontal (θ_L, θ_R) and 180° vertical (ϕ_H, ϕ_V) range are illustrated as following figure.





4. Absolute Maximum Ratings

4.1 Absolute Ratings

Item	Symbol	Min	Max	Unit	Remark
Logic/LCD Drive Voltage	VDD	-0.3	+3.6	Volt	Ta= 25°C
LCD Input Signal Voltage	VIN	-0.3	+3.6	Volt	Ta= 25°C
LED BLU Drive Voltage	V _{LED}	0	23	Volt	Ta= 25°C
LED Dimming Input Voltage	V _{PWM}	0	8	Volt	Ta= 25°C

4.2 Absolute Ratings of Environment

Item	Symbol	Min	Max	Unit	Remark
Operating Temperature	TOP	-30	+85	°C	Note 1, 2
Operation Humidity	HOP	5	95	%RH	Note 1, 2
Storage Temperature	TST	-30	+85	°C	Note 1
Storage Humidity	HST	5	95	%RH	Note 1

Note 1: Maximum Wet-Bulb should be 39°C and no condensation.

Note 2: Only operation is guaranteed. Optical performance should be evaluated at 25°C only.



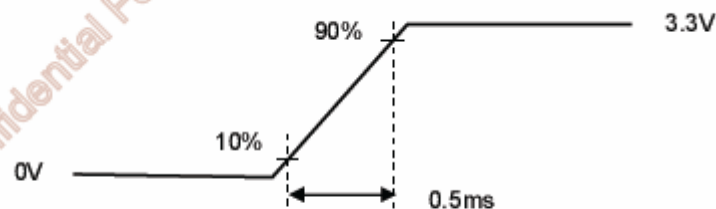
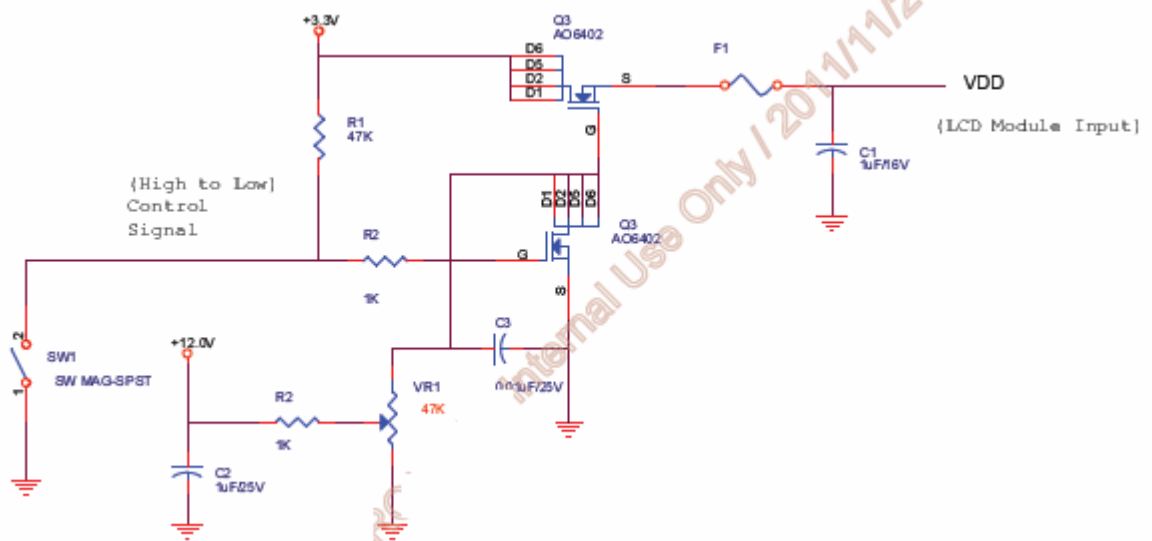
5. Electrical Characteristics

5.1 TFT-LCD Driving

5.1.1 Power Specification

Symbol	Parameter	Min	Typ	Max	Units	Remark
VDD	Logic/LCD Drive Voltage	3.0	3.3	3.6	Volt	
IDD	VDD Current	-	140	155	mA	All Black Pattern (VDD=3.3V, at 60Hz)
I _{rush}	LCD Inrush Current	-	-	1.5	A	Note 1
PDD	VDD Power	-	0.5	0.55	Watt	All Black Pattern (VDD=3.3V, at 60Hz)
VDD _{rp}	Allowable Logic/LCD Drive Ripple Voltage	-	-	100	mVp-p	All Black Pattern (VDD=3.3V, at 60Hz)

Note 1: Measurement condition:



VDD rising time

**5.1.2 Signal Electrical Characteristics**

Input signals shall be low or Hi-Z state when VDD is off.

Parameter		Symbol	Min.	Typ.	Max.	Unit	Remarks
Logic Input Voltage for Display Signals	High	VIH	0.7VDD	-	VDD	Volt	
	Low	VIL	0	-	0.3VDD	Volt	
Input Voltage for RL/UD	High	VIH	0.7VDD	-	VDD	Volt	
	Low	VIL	0	-	0.3VDD	Volt	

5.2 Backlight Unit Driving**5.2.1 Parameter guideline for LED driver**

Following characteristics are measured under stable condition at 25°C Temperature).

Symbol	Parameter	Min	Typ	Max	Units	Remark
V_{LED}	LED Input Voltage	9	12.1	13	Volt	
I_{LED}	LED Input Current	-	0.13		A	100% PWM duty
P_{LED}	LED Power Consumption	-	2.353		W	100% PWM duty
$I_{rushLED}$	Inrush Current	-	0.37	0.41	A	100% PWM duty
$V_{LED\ On/Off}$	On Control Voltage	3.0	3.3	5.0	Volt	
	Off Control Voltage	0		0.15	Volt	
V_{PWM}	Dimming control Voltage High	3.0	3.3	5.0	Volt	
	Dimming control Voltage Low	0		0.1	Volt	
F_{PWM}	Dimming Frequency	200		30K	Hz	
D_{PWM}	Dimming duty cycle	1		100	%	
Operating Life		50000			Hrs	Note 2, 3

Note 1: See for LED Backlight Unit Interface Signal Description.

Note 2: If module is driven at high ambient temperature & humidity condition. The operating life will be reduced.

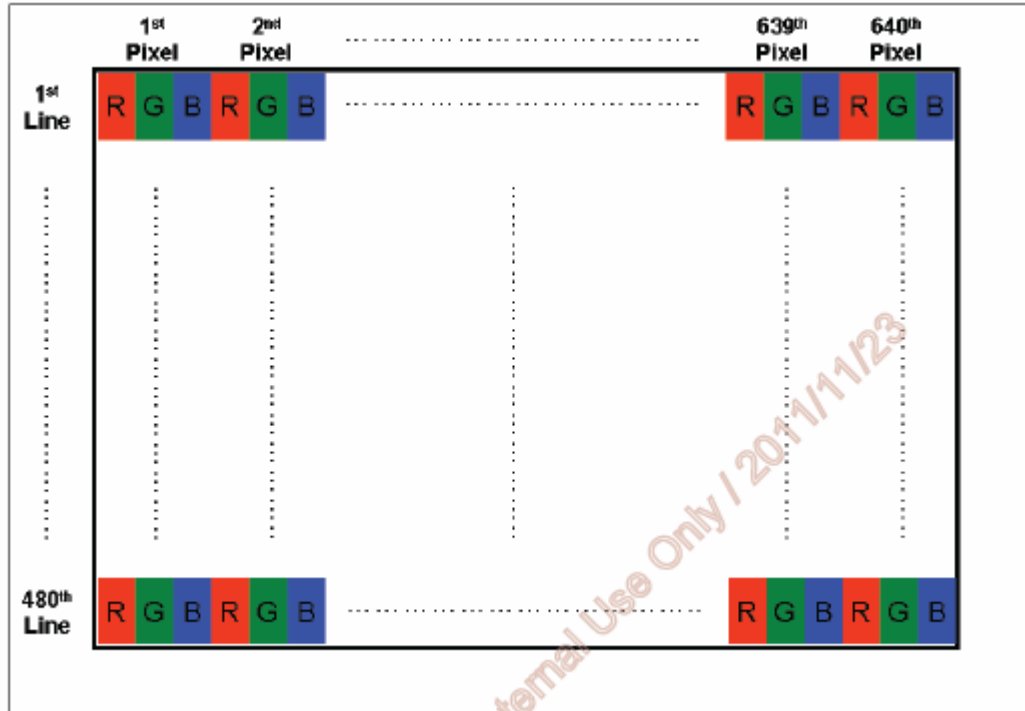
Note 3: Operating life means brightness goes down to 50% initial brightness. Typical operating life time is estimated data.



6. Signal Characteristic

6.1 Pixel Format Image

Following figure shows the relationship between input signal and LCD pixel format.



6.2 Scanning Direction

The following figures show the image seen from the front view. The arrow indicates the direction of scan.



R/L=Low or NC; U/D=High or NC



R/L=High; U/D=High or NC



R/L=Low or NC; U/D=Low



R/L=High; U/D=Low

Note 1: TFT-LCD interface signal description is shown in section 6.4.

6.3 The Input Data Format

This product displays 262,144 colors in terms of the 64 grey levels on RGB respectively. The following table demonstrates the display of input data.

11/11/23



Display colors		Data signal (0 : Low level, 1: High level)											
		R5 R4 R3 R2 R1 R0	G5 G4 G3 G2 G1 G0	B5 B4 B3 B2 B1 B0									
Basic colors	Black	0 0 0 0 0 0	0 0 0 0 0 0	0 0 0 0 0 0									
	Blue	0 0 0 0 0 0	0 0 0 0 0 0	1 1 1 1 1 1									
	Red	1 1 1 1 1 1	0 0 0 0 0 0	0 0 0 0 0 0									
	Magenta	1 1 1 1 1 1	0 0 0 0 0 0	1 1 1 1 1 1									
	Green	0 0 0 0 0 0	1 1 1 1 1 1	0 0 0 0 0 0									
	Cyan	0 0 0 0 0 0	1 1 1 1 1 1	1 1 1 1 1 1									
	Yellow	1 1 1 1 1 1	1 1 1 1 1 1	0 0 0 0 0 0									
	White	1 1 1 1 1 1	1 1 1 1 1 1	1 1 1 1 1 1									
Red grayscale	Black	0 0 0 0 0 0	0 0 0 0 0 0	0 0 0 0 0 0									
	Dark	0 0 0 0 0 1	0 0 0 0 0 0	0 0 0 0 0 0									
	↕												
	bright	1 1 1 1 0 1	0 0 0 0 0 0	0 0 0 0 0 0									
	↕	1 1 1 1 1 0	0 0 0 0 0 0	0 0 0 0 0 0									
	Red	1 1 1 1 1 1	0 0 0 0 0 0	0 0 0 0 0 0									
Green grayscale	Black	0 0 0 0 0 0	0 0 0 0 0 0	0 0 0 0 0 0									
	Dark	0 0 0 0 0 0	0 0 0 0 0 1	0 0 0 0 0 0									
	↕												
	bright	0 0 0 0 0 0	1 1 1 1 0 1	0 0 0 0 0 0									
	↕	0 0 0 0 0 0	1 1 1 1 1 0	0 0 0 0 0 0									
	Green	0 0 0 0 0 0	1 1 1 1 1 1	0 0 0 0 0 0									
Blue grayscale	Black	0 0 0 0 0 0	0 0 0 0 0 0	0 0 0 0 0 0									
	Dark	0 0 0 0 0 0	0 0 0 0 0 0	0 0 0 0 0 1									
	↕												
	bright	0 0 0 0 0 0	0 0 0 0 0 0	0 0 0 0 1 0									
	↕	0 0 0 0 0 0	0 0 0 0 0 0	1 1 1 1 0 1									
	Blue	0 0 0 0 0 0	0 0 0 0 0 0	1 1 1 1 1 1									

**6.4 TFT- LCD Interface Signal Description**

Pin No.	Signal	Description
1	GND	Ground
2	DOTCLK	Dot Clock
3	NC	No connection
4	NC	No connection
5	GND	Ground
6	R0	Red data(LSB)
7	R1	Red data
8	R2	Red data
9	R3	Red data
10	R4	Red data
11	R5	Red data(MSB)
12	GND	Ground
13	G0	Green data(LSB)
14	G1	Green data
15	G2	Green data
16	G3	Green data
17	G4	Green data
18	G5	Green data(MSB)
19	GND	Ground
20	B0	Blue data(LSB)
21	B1	Blue data
22	B2	Blue data
23	B3	Blue data
24	B4	Blue data
25	B5	Blue data(MSB)
26	GND	Ground
27	DE	Data enable signal
28	VDD	Power supply (3.3V typical only)
29	VDD	Power supply (3.3V typical only)
30	RL	Horizontal reverse scan control Low or NC → Normal mode High → right & left reverse scan

**FORENEX**

TEL: 886-4-22969886 FAX : 886-4-22969887

Forenex Technology Co., Ltd 5F-2, No212, Sec.4, Wenxin Rd., North Dist, Taichung City 404, Taiwan(R.O.C.)

Pin No.	Signal	Description
31	UD	Vertical reverse scan control Low or NC → Normal mode High → Up & down reverse scan
32	NC	No connection
33	GND	Ground

Note 1: "Low" stands for 0V. "High" stands for 3.3V. "NC" stands for "No Connection".



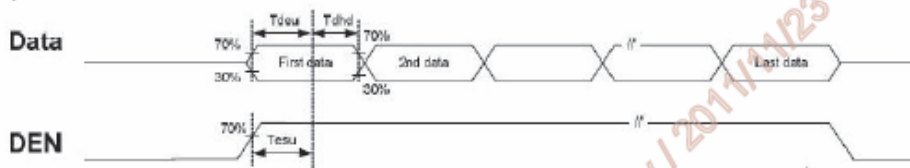
6.5 TFT- LCD Interface Timing

6.5.1 Timing Characteristics

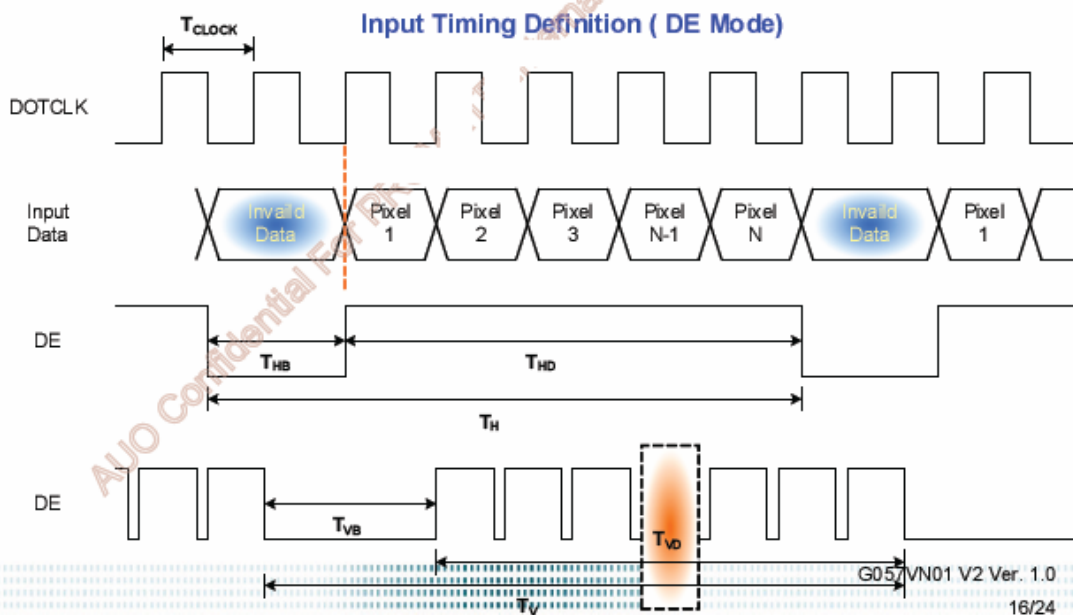
DE mode only

Signal	Symbol	Min.	Typ.	Max.	Unit	Remark	
Clock frequency (DOTCLK)	1/ T _{CLOCK}	23.9	25.2	34.2	MHz	Note1	
Data	Setup Time	T _{dsu}	8		ns	RL, GL, BL to DCLK	
	Hold Time	T _{dhd}	8		ns		
DE	Setup Time	T _{esu}	8		ns		
Horizontal Section	Period	T _H	770	800	1000	T _{CLOCK}	Note1
	Active	T _{HD}	640				
	Blanking	T _{HB}	130	160	360		
Vertical Section	Period	T _V	516	525	570	T _{LINE}	Note1
	Active	T _{VD}	480				
	Blanking	T _{VB}	36	45	90		

Note 1: Recommended frame rate is 60 Hz.



6.5.2 Input Timing Diagram





7. Connector & Pin Assignment

7.1 TFT- LCD Signal (CN1): LCD Connector

Manufacturer	Starconn
Connector Model Number	089H33-000100-G2-R, compatible with IMSA-9637S-33Y902 & ELCO 08-6210-033-340-800+

Pin#	Symbol	Pin#	Symbol	Pin#	Symbol
1	GND	12	GND	23	B3
2	DOTCLK	13	G0	24	B4
3	NC	14	G1	25	B5
4	NC	15	G2	26	GND
5	GND	16	G3	27	DE
6	R0	17	G4	28	VDD
7	R1	18	G5	29	VDD
8	R2	19	GND	30	R/L
9	R3	20	B0	31	U/D
10	R4	21	B1	32	NC
11	R5	22	B2	33	GND

7.2 LED Backlight Unit (CN2): Backlight Connector

Physical interface is described as for the connector on module. These connectors are capable of accommodating the following signals and will be following components.

Connector Name / Designation	LED Connector / Backlight
Manufacturer	
Type Part Number	A20D/HD2-2P
Mating Type Part Number	S2B-PH-SM4-TB

Pin #	Symbol	Cable Color	Pin Description
1	+12V	Red	Power +12V
2	GND	Black	GND



7.3 LED Driver Board

7.3.1 Input connector : J1

Model Name : S7B-PH-SM4-TB(JST)

(J1)

Connector Type: 2.0mm 7pin Wafer (SMD)

Pin No.	Description
1	+12V
2	+12V
3	+12V
4	Ground
5	PWM Control
6	Ground
7	ON/OFF Control



(pin1)

7.3.2 Output connector : J2 , J3

Model Name : S2B-PH-SM4-TB(JST)

(J2)

Connector Type: 2.0mm 2pin Wafer (SMD)

Pin No.	Description
1	VLED+
2	VLED-



(pin1)

(J3)

Connector Type: 2.0mm 2pin Wafer (SMD)

Pin No.	Description
1	VLED+
2	VLED-

(pin1)



FORENEX

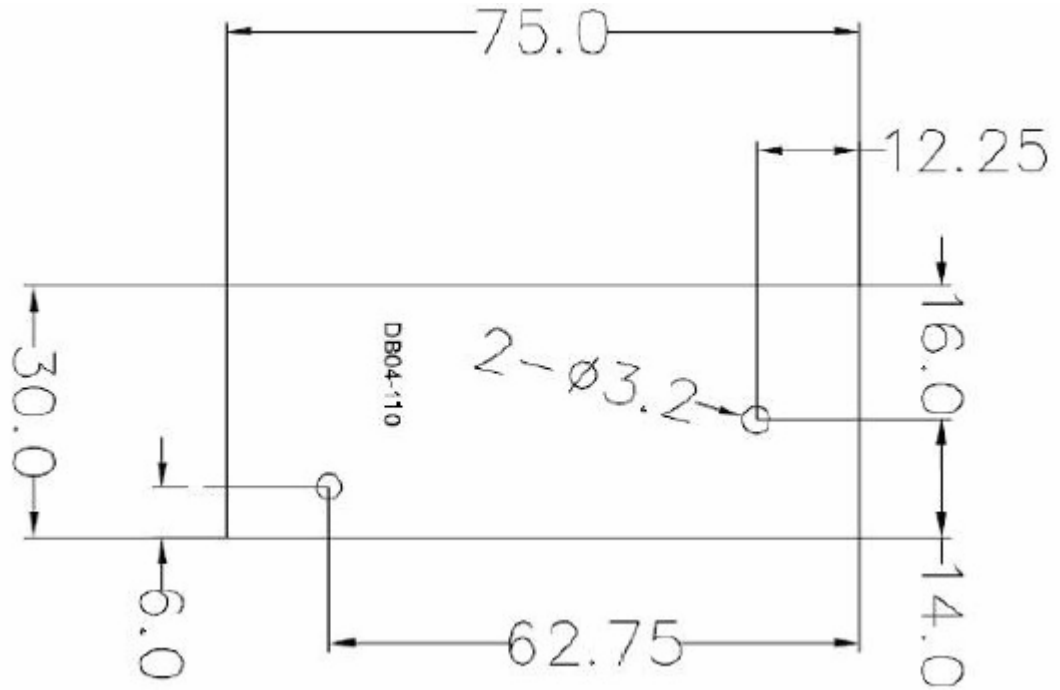
Forenex Technology Co., Ltd

TEL: 886-4-22969886 FAX : 886-4-22969887

5F-2, No212, Sec.4, Wenxin Rd., North Dist, Taichung City 404, Taiwan(R.O.C.)

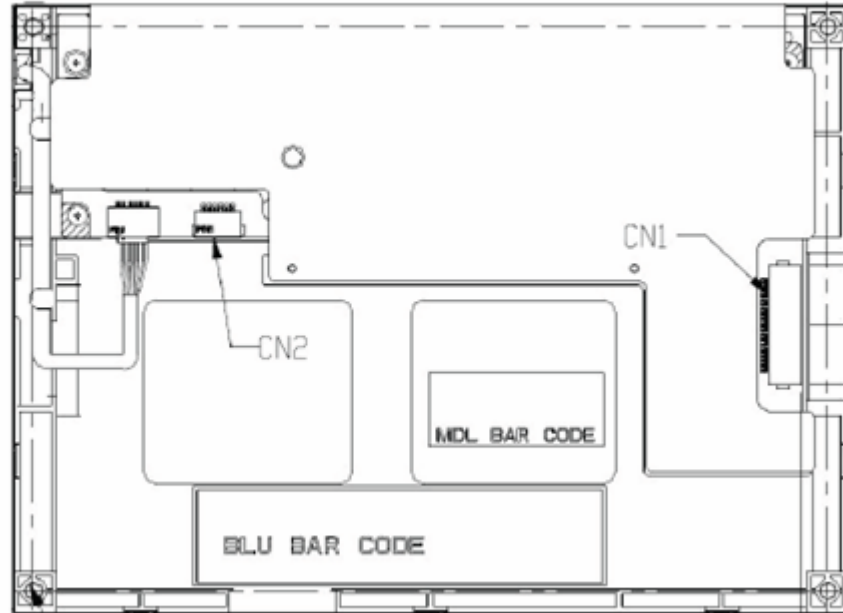
LED Driving Board Outline Dimension (Rear View)

Dimension : 75(L)*30(W)*8.65(H)mm



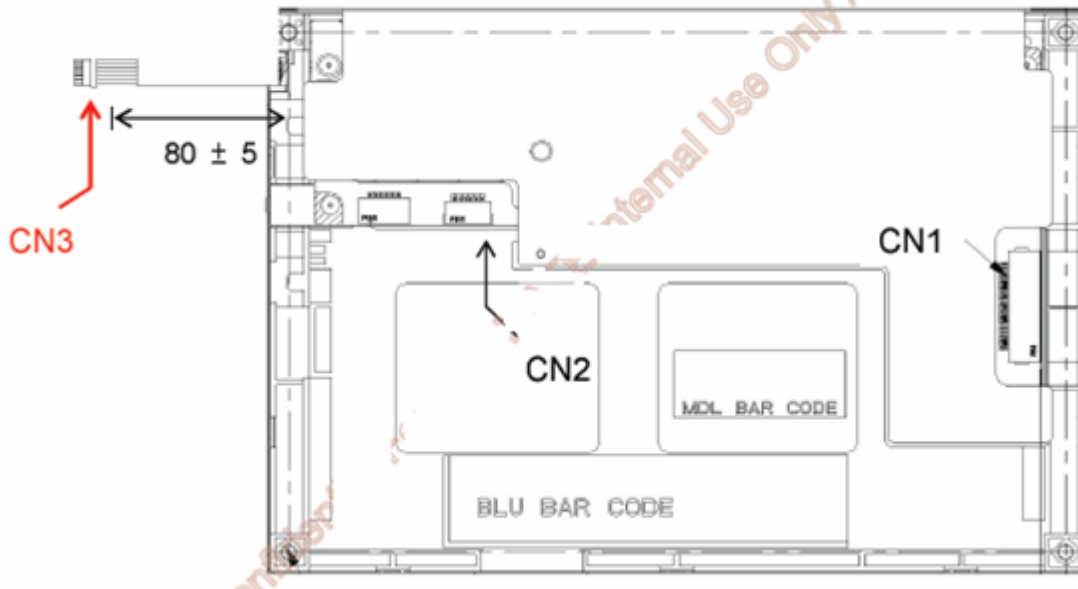


7.4 PIN 1 definition of CN1 and CN2



(Rear side of TFT-LCD)

7.5 PIN 1 definition of CN3





8. Reliability Test Criteria

Items	Required Condition	Remark
Temperature Humidity Bias	40□/90%,300Hr	Note 2
High Temperature Operation	85□,300Hr	Note 2
Low Temperature Operation	-30□,300Hr	Note 2
High Temperature Storage	85□,300 hours	Note 2
Low Temperature Storage	-30℃,300 hours	Note 2
Thermal Shock Test	-20℃/30 min ,60℃/30 min ,100cycles	Note 2
Hot Start Test	85℃/1 Hr (min.), power on/off per 5 minutes, repeat 5 times	Note 2
Cold Start Test	-30℃/1 Hr (min.), power on/off per 5 minutes, repeat 5 times	Note 2
Shock Test (Non-Operating)	50G,20ms,Half-sine wave, (±X, ±Y, ±Z)	Note 2
Vibration Test (Non-Operating)	1.5G, 10~200~10Hz, Sine wave, 30mins/axis, 3 direction (X, Y, Z)	Note 2
ESD	Contact Discharge: ±8KV, 150pF(330Ω) 1sec, 8 points, 25 times/point Air Discharge: ±15KV, 150pF(330Ω) 1sec, 8 points, 25 times/point	Note 1,2
Attitude Test	Operating: 14,000 ft, Ramp: 2000 ft/min, 8hrs Non-operating: 40,000 ft, Ramp: 2000 ft/min, 24hrs	Note 2

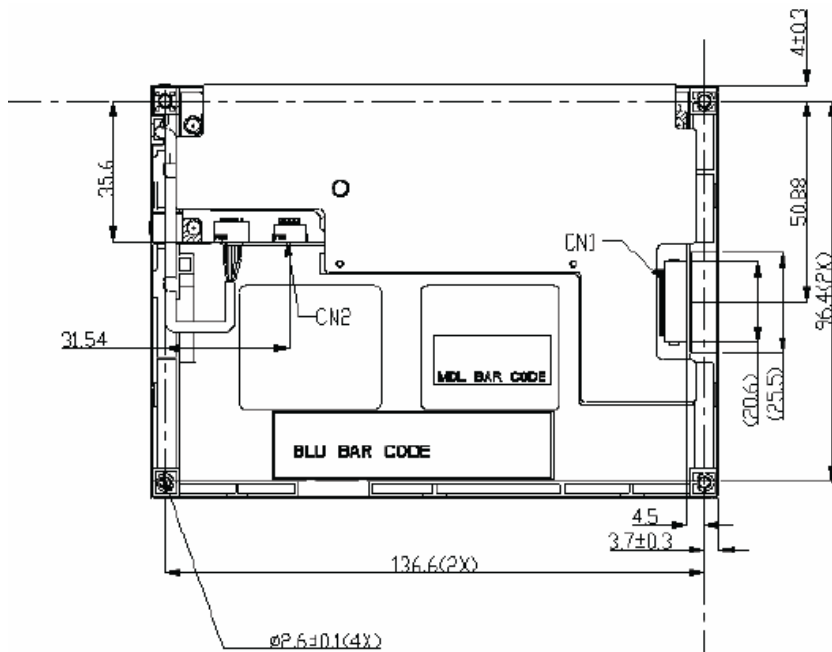
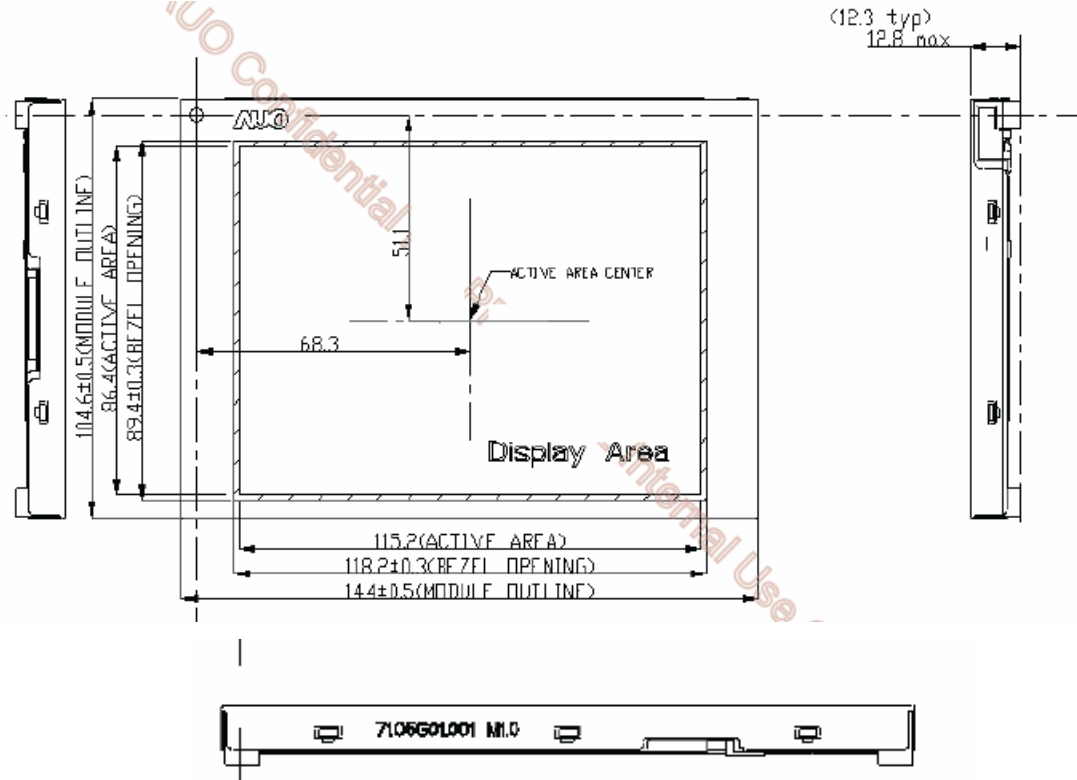
Note1: According to EN61000-4-2 ESD class B criteria, some performance degradation is allowed. TFT-LCD module is self-recoverable, no data lost and no hardware failures after test.

Note2:

- Water condensation is not allowed for each test items.
- Each test is done by new TFT-LCD module. Don't use the same TFT-LCD module repeatedly for reliability test.
- The reliability test is performed only to examine the TFT-LCD module capability.
- To inspect TFT-LCD module after reliability test, please store it at room temperature and room humidity for 24 hours at least in advance.



9. Mechanical Characteristics



The hole for nominal size 3mm self-tapping screw attachment: depth 3.5mm (4 point)
 Suggested applying torque: 0.15~0.2Nm